

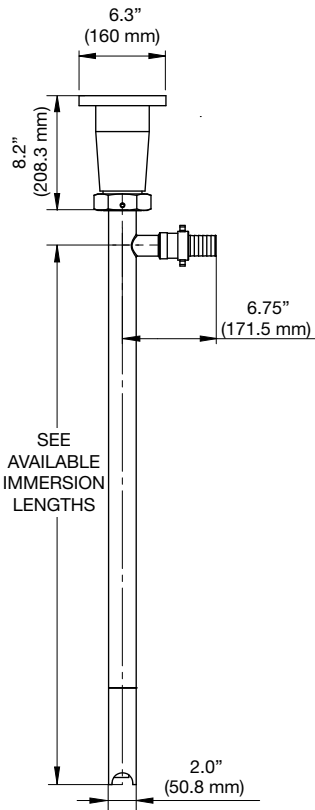


## Common Applications

- Polymers
- Oils & Greases
- Resins
- Paints
- Adhesives
- Varnishes

## Technical Specifications

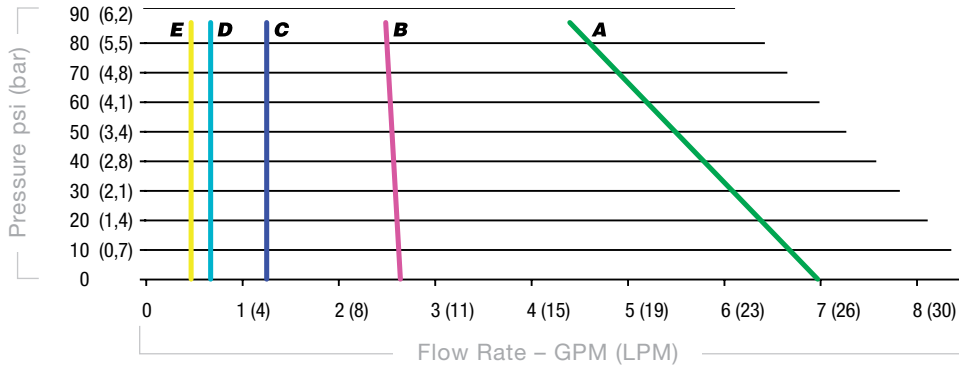
**Pump Design:** .....Progressive Cavity / Positive Displacement  
**Discharge:** ..... 1 1/2" Hose Barb  
**Wetted Materials:** .....SS316, SiC/Viton & PTFE  
**Motor Drive Options:** .....230/460V 3 Ph Electric, Pneumatic  
**Maximum Viscosity:** .....**751 & 752 Series** : 100,000 cps (mPas)\*  
 .....**1851 Series** : 10,000 cps (mPas)\*  
**Maximum Discharge Pressure:** .....**751 & 1851 Series** : 87 psi (6 bar)  
 .....**752 Series** : 174 psi (12 bar)  
**Maximum Flow Rate (based on water)** .....**1851 Series** : 12 gpm (45,4 lpm)  
 .....**751 & 752 Series** : 7 gpm (26,5 lpm)  
**Maximum Temperature:** .....PTFE Stator : 300°F (149°C)  
**Duty Cycle:** .....Continuous  
**Available Immersion Lengths:** .....39" (1000 mm) & 47" (1200 mm)  
**Maximum Particulate Size (Dia.):** .....1/4" (6,35 mm)  
**Surface Finish:** .....32 Ra



**Warning:** When pumping flammable or combustible liquids, pump tube must be used in conjunction with an explosion proof or air motor.  
**Note:** Consult factory regarding products that are sticky in nature as the maximum rated viscosity of this pump may be lower for these types of products.

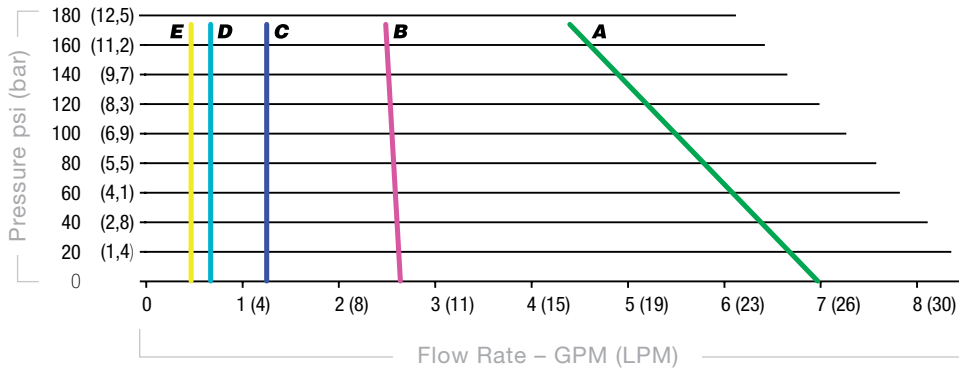
## Performance Curves

### 751 Series Pumps



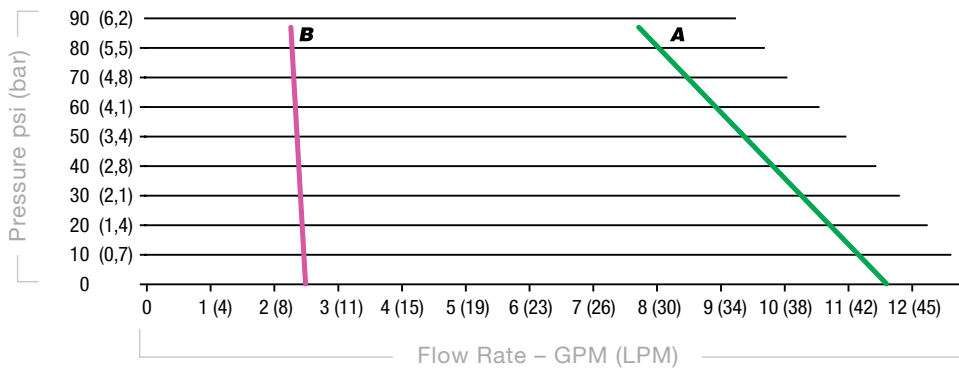
Viscosity cps (mPas)	Electric Motor	Air Motor
A 1	SP-502	SP-A4
B 10,000	SP-502	SP-A4
C 30,000	SP-512	SP-A6
D 60,000	SP-512	SP-A6
E 100,000	SP-522	SP-A8

### 752 Series Pumps



Viscosity cps (mPas)	Electric Motor	Air Motor
A 1	SP-502	SP-A4
B 10,000	SP-502	SP-A4
C 30,000	SP-512	SP-A6
D 60,000	SP-512	SP-A6
E 100,000	SP-522	SP-A8

### 1851 Series Pumps



Viscosity cps (mPas)	Electric Motor	Air Motor
A 1	SP-502	SP-A4
B 10,000	SP-502	SP-A4