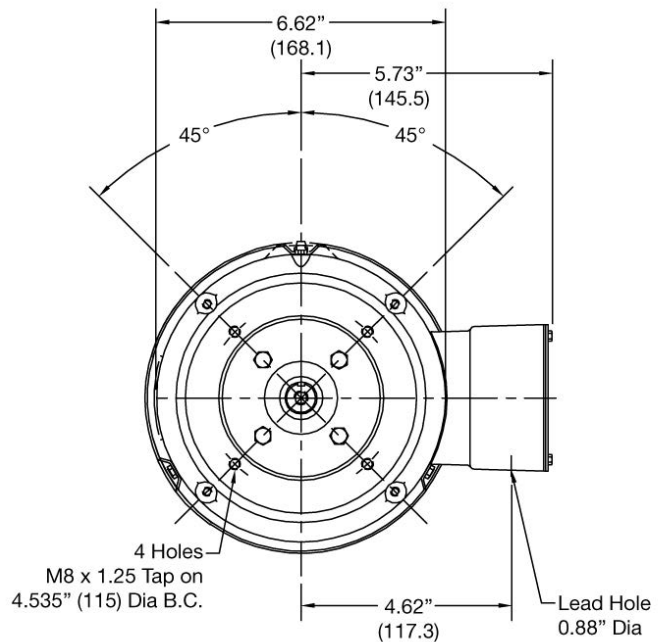
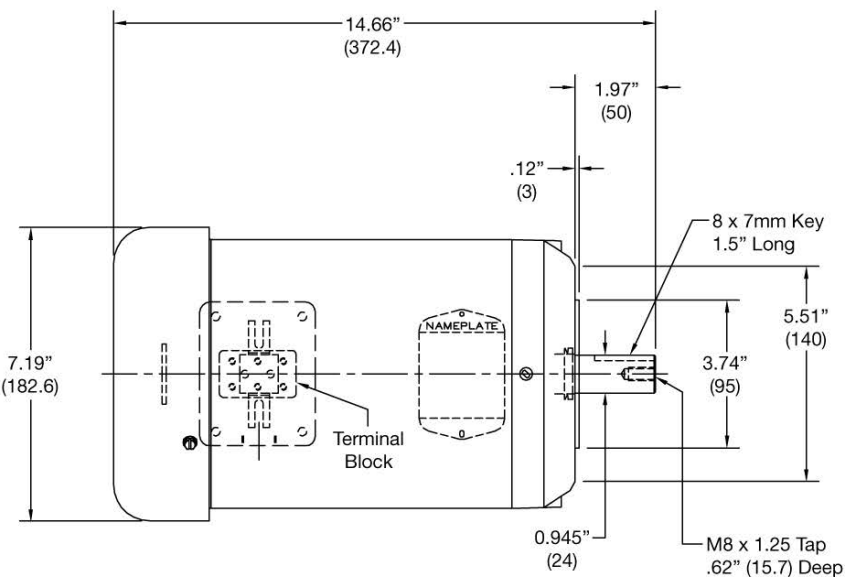


## Technical Specifications



<b>Enclosure:</b> .....	TEFC (IP54)
<b>Washdown:</b> .....	No
<b>Voltage:</b> .....	190/380//230/460
<b>Horsepower (KW):</b> .....	0.75 (.56)
<b>Phase:</b> .....	3
<b>Amps:</b> .....	4.2/2.1//4/2
<b>Frequency:</b> .....	50-60 Hz
<b>Insulation Class:</b> .....	F
<b>Power Factor</b> .....	.49
<b>Frame:</b> .....	D90LC
<b>RPM:</b> .....	750-900
<b>Noise Level:</b> .....	70 dBa
<b>Certification:</b> .....	UL & CSA
<b>Weight:</b> .....	.56 lbs (25,5 kg)



**WARNING:** Not suitable for pumping flammable or combustible liquids or use in a hazardous duty environment.

**Note:** Only compatible with the SP-700DD or 800DD Series pump.