



Technical Specifications

Package Includes:..... Motor, Pump Tube, Hose, Storage Bracket, Flow Meter, Barrel Adapter & Hand Nozzle

Motor Type:..... Open Drip Proof (IP44)

Pump Tube Material:.. Polypropylene, Hastelloy C-276, Carbon Graphite

Immersion Length:..... 39" (1000 mm) or 47" (1200 mm)

Discharge Hose:PVC, 6 ft (1,8 m), 1" (25 mm) I.D.

Hand Nozzle Material:Polypropylene, Viton

Flow Meter Material: Polypropylene, PVDF, Viton, Halar, Ceramic

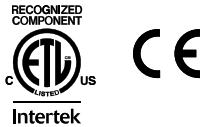
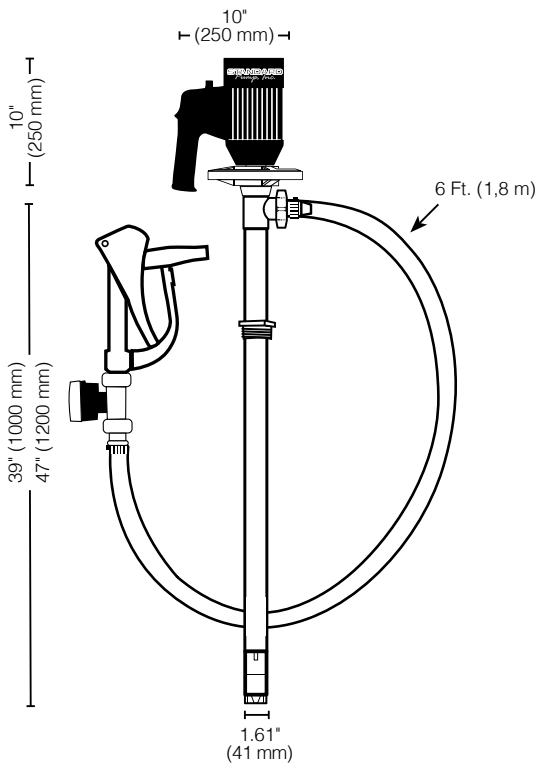
Flow Meter Type:.....Digital / Battery Powered Totalizer

Maximum Flow Rate:..... 13.5 GPM (51 LPM) *based on water*

Maximum Viscosity: 300 cps (mPas)

Maximum Temperature: 130° F (55° C)

Shipping Weight:..... 23 lbs. (10,43 kg)



DRUMS

Package P/N	Motor	Volts	Pump Tube
9500	SP-280P-V	110V	SP-PP-39
9501	SP-280P-2-V	220V	SP-PP-39

TANKS

Package P/N	Motor	Volts	Pump Tube
9502	SP-280P-V	110V	SP-PP-47
9503	SP-280P-2-V	220V	SP-PP-47



Warning: This pump is not suitable for use with Flammable/Combustible liquids.

*Note: When pumping viscosities over 1,000 cps, pump must be used intermittently to avoid potential premature failure and/or damage.