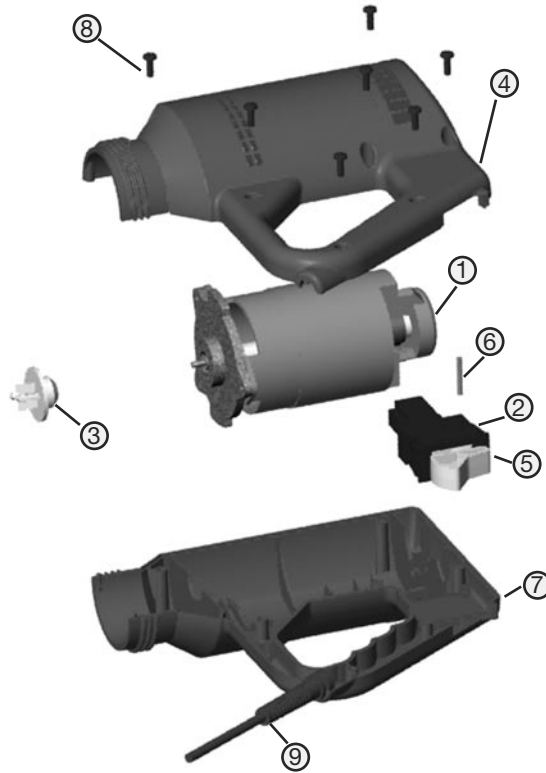


SP-ODP SERIES



ITEM NUMBER	DESCRIPTION	PART NUMBER
1	Motor assembly - 110V Motor assembly - 220V	8900 8900-2
2	Overload switch 8.5 amp, 115V 5 amp, 220V	8611 8704 LVR
3*	Motor coupling	8333
4	Case left	8902
5	Actuator switch	8903
6	Rocker pin	8904
7	Case right	8901
8	Screw	8905
9	Power cord w/strain relief & plug 115V 220V	8361 8706

*Parts interchange with all Standard electric motors

⚠ SP-ODP open motor should not be used to pump flammables.