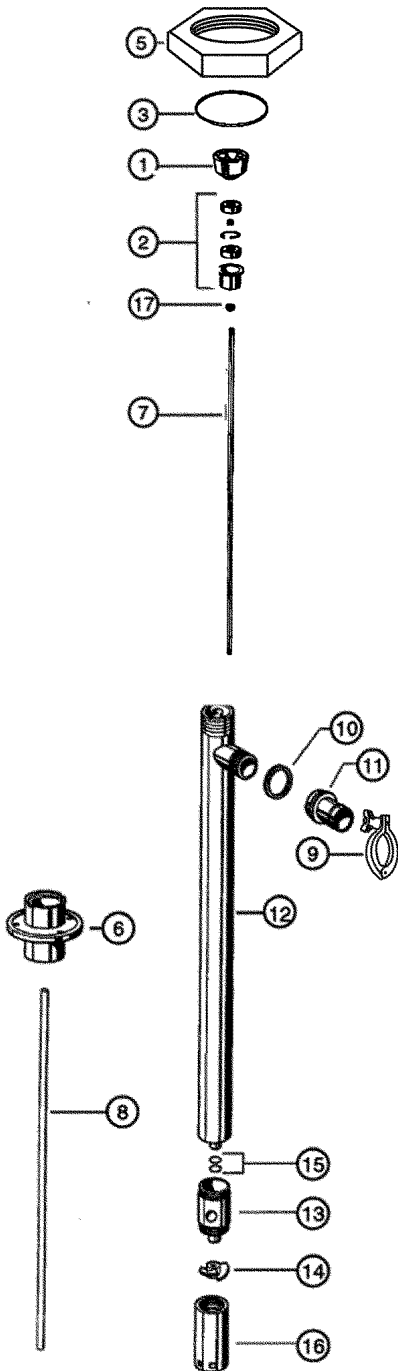


# SP-8200 SANITARY SERIES PARTS



| ITEM NUMBER | DESCRIPTION                                                                                   | PART NUMBER  |
|-------------|-----------------------------------------------------------------------------------------------|--------------|
| 1           | Pump coupling                                                                                 | 1004         |
| 2           | Bearing unit assembled – 2 each<br>Viton shielded bearings, spacer,<br>snap ring, bearing can | 1038         |
| 3           | Snap ring                                                                                     | 8208         |
| 5           | Hex nut                                                                                       | 8842         |
| 6           | Connection Flange                                                                             | 8102         |
| 7           | Drive shaft 39" (1000 mm)<br>47" (1200 mm)                                                    | 2028<br>2029 |
| 8           | TFE guide sleeve<br>39" (1000 mm) /47" (1200 mm)                                              | 8106         |
| 9           | Tri-clamp                                                                                     | 833          |
| 10          | "O"-ring, buna                                                                                | 836          |
| 11          | Hose barb<br>1.25" (32 mm)<br>1.50" (38 mm)                                                   | 834<br>835   |
| 12          | Inner/outer tube assembly<br>39" (1000 mm)<br>47" (1200 mm)                                   | 8104<br>8105 |
| 13          | Pump housing with Teflon bushing                                                              | 8107         |
| 14          | High head impeller                                                                            | 4608HH       |
| 15          | "O"- ring, buna, 2 per set                                                                    | 8103         |
| 16          | Pump foot                                                                                     | 8108HH       |
| 17          | V-Seal - TFE                                                                                  | 4000         |

**!** When pumping flammable or combustible liquids, this pump must be used in conjunction with an explosion proof motor.