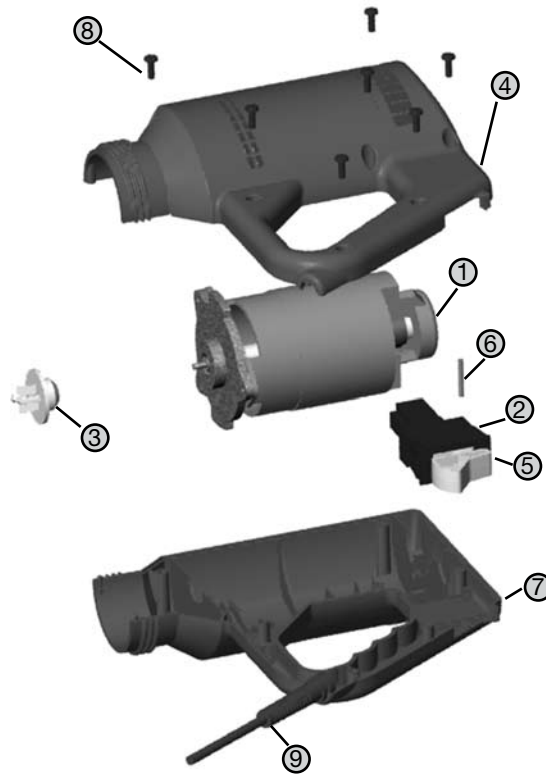


## SP-ODP MOTOR SPARE PARTS



ITEM NUMBER	DESCRIPTION	PART NUMBER
1	Motor assembly 110-120V	8900
	Motor assembly 220-240V	8900-2
2	Overload switch	
	8.5 amp, 110-120V	8611
	5 amp, 220-240V	8704 LVR
3	Motor coupling	8333
4	Case left	8902
5	Actuator switch	8903
6	Rocker pin	8904
7	Case right	8901
8	Screw	8905
9	Power cord w/ strain relief & plug	
	110-120V	8361
	220-240V	8706

**!** SP-ODP open motor should not be used to pump flammables.