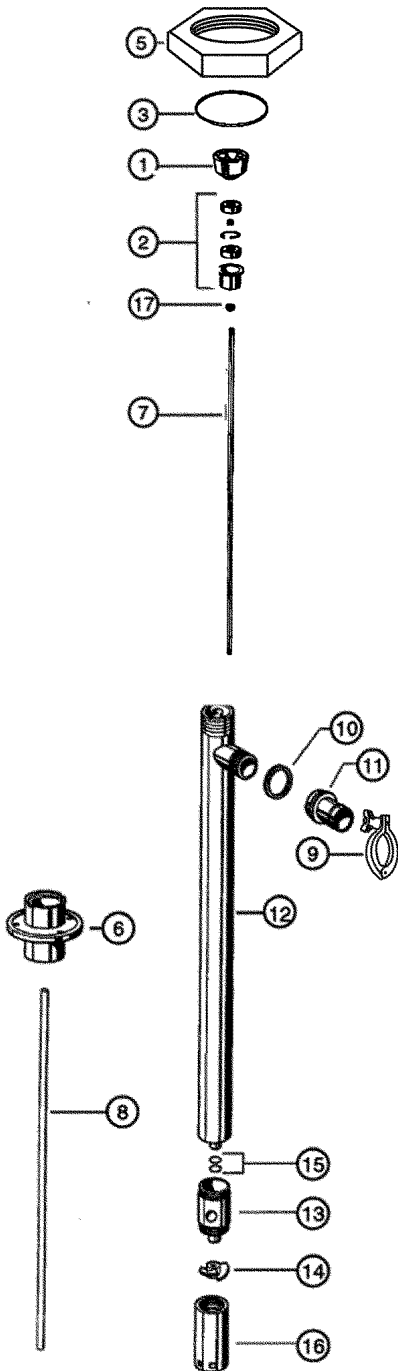


SP-8200 SANITARY SERIES PARTS



ITEM NUMBER	DESCRIPTION	PART NUMBER
1	Pump coupling	1004
2	Bearing unit assembled – 2 each Viton shielded bearings, spacer, snap ring, bearing can	1038
3	Snap ring	8208
5	Hex nut	8842
6	Connection Flange	8102
7	Drive shaft 39" (1000 mm) 47" (1200 mm)	2028 2029
8	TFE guide sleeve 39" (1000 mm) /47" (1200 mm)	8106
9	Tri-clamp	833
10	"O"-ring, buna	836
11	Hose barb 1.25" (32 mm) 1.50" (38 mm)	834 835
12	Inner/outer tube assembly 39" (1000 mm) 47" (1200 mm)	8104 8105
13	Pump housing with Teflon bushing	8107
14	High head impeller	4608HH
15	"O"- ring, buna, 2 per set	8103
16	Pump foot	8108HH
17	V-Seal - TFE	4000

! When pumping flammable or combustible liquids, this pump must be used in conjunction with an explosion proof motor.